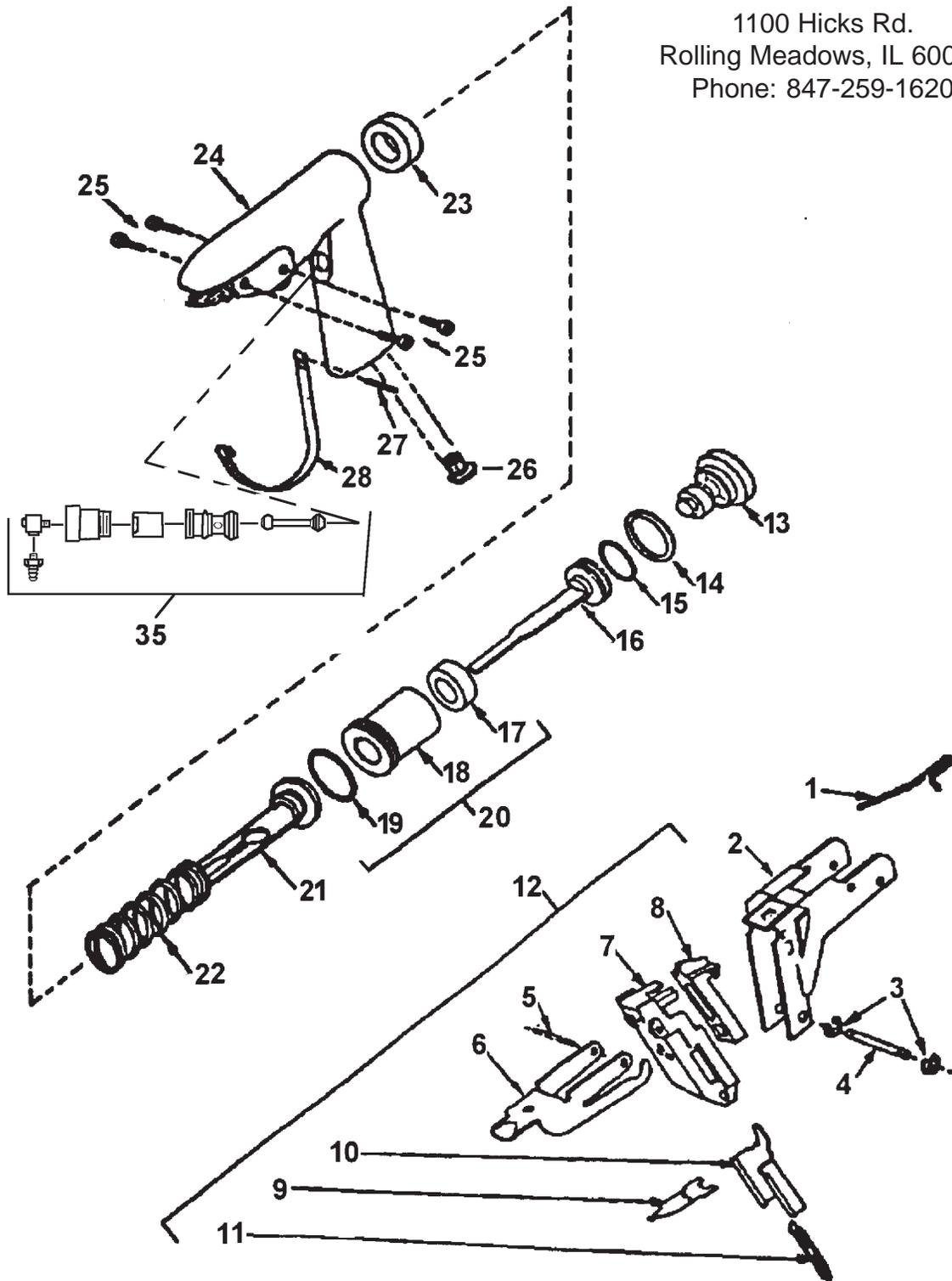


# MODEL LOM 56 / 58-RF

**SPOTNAILS®**  
DIVISION OF PEACE INDUSTRIES, LTD.

1100 Hicks Rd.  
Rolling Meadows, IL 60008  
Phone: 847-259-1620



### MODEL LOM 56, 3/8" CROWN STAPLER

Ref	Part #	Description
1	P-18085	Guide Spring
2	AS-10026	Sheath Case
3	P-32038	Retaining Ring
4	P-07075	Hinge Pin
5	P-07079	Pin
6	P-04015	Cam Latch
7	P-08253	Swing Case
8	P-31019	Anvil
9	P-18083	Spring Retainer
10	P-18082	Retaining Spring
11	P-18081	Anvil Spring
12	AS-08016	Swing Case Assy.
13	AS-60002	Cap Assy.
14	P-62012	Gasket
15	P-64064	O-Ring
16	AS-06009	Driver Assy.
17	P-15032	Bumper
18	P-05032	Piston Sleeve

Ref	Part #	Description
19	P-64065	O-Ring
20	AS-05000	Piston Sleeve Assy.
21	AS-35007	Former
22	P-18084	Return Spring
23	P-15031	Bumper
24	AS-01031	Body
25	P-24083	Screw
26	P-30005	Reducing Bushing
27	P-07078	Strap Pin
28	AS-12037	Strap Assy.
29	P-07032	Trigger Pin
30	P-21011	Trigger
31	P-64032	O-Ring
32	P-22026	Valve Body
33	P-64047	O-Ring
34	P-22025	Valve Shaft
35	AS-97252	Valve Assy.

### MODEL LOM 58, 1/2" CROWN STAPLER

Ref	Part #	Description
1	P-18085	Guide Spring
2	AS-10026	Sheath Case
3	P-32038	Retaining Ring
4	P-07075	Hinge Pin
5	P-07079	Pin
6	P-04015	Cam Latch
7	P-08254	Swing Case
8	P-31020	Anvil
9	P-18083	Spring Retainer
10	P-18082	Retaining Spring
11	P-18081	Anvil Spring
12	AS-08017	Swing Case Assy.
13	AS-60002	Cap Assy.
14	P-62012	Gasket
15	P-64064	O-Ring
16	AS-06010	Driver Assy.
17	P-15032	Bumper
18	P-05032	Piston Sleeve

Ref	Part #	Description
19	P-64065	O-Ring
20	AS-05000	Piston Sleeve Assy.
21	AS-35008	Former
22	P-18084	Return Spring
23	P-15031	Bumper
24	AS-01031	Body
25	P-24083	Screw
26	P-30005	Reducing Bushing
27	P-07078	Strap Pin
28	AS-12037	Strap Assy.
29	P-07032	Trigger Pin
30	P-21011	Trigger
31	P-64032	O-Ring
32	P-22026	Valve Body
33	P-64047	O-Ring
34	P-22025	Valve Shaft
35	AS-97252	Valve Assy.